

# GUNITE Service Bulletin

## Disc Wheel/Brake Drum Interference 16-1/2" x 8-5/8" Brake Application

A problem occurs when 22.5 inch tubeless Accuride disc wheels are replaced with the following competitive disc wheels:

Motor Wheel/Hayes	Budd/Allied Signal/Bosch/Hayes
87897	R87460
87904	R87540
87905	R93590
89921	R93790
90260	100-8901
90262	100-8910
90273	100-9204
90541	100-9207
90631	

The Gunitite brake drum part number 3780 and 3780A will have an interference between the brake drum and the wheels listed above; see Figure 1. If you convert from Accuride wheels to any of the part numbers in the charts above, you must change the brake drums from a 3780 or 3780A to a 3807 or 3807A brake drum respectively. Part numbers 3807 and 3807A will not interfere with Accuride or any of the other disc wheels listed above.

**WARNING:** Failure to change the brake drum part number when converting to these competitive disc wheels can result in cracked wheels or brake drums, and possible loss of wheel-end components.

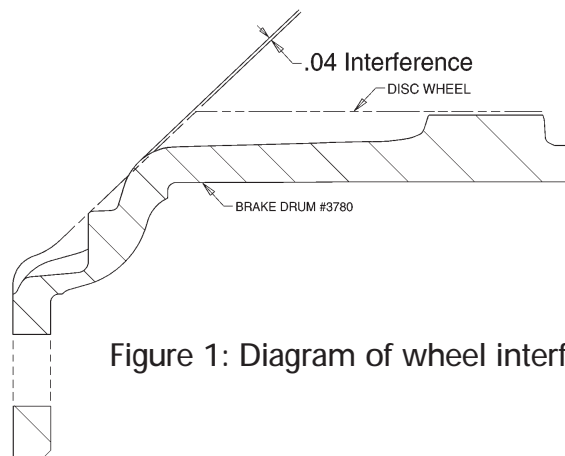


Figure 1: Diagram of wheel interference.